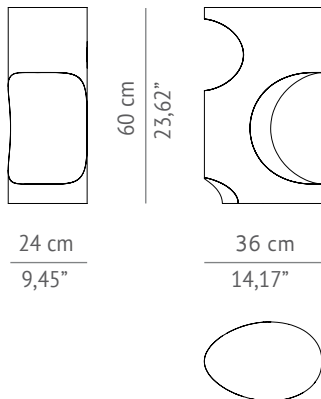




BRYCE | SIDE TABLE

Located in the south-western Utah in the United States, BRYCE is a giant natural amphitheatre caused by the erosion through the Paunsaugnt Palteau. What makes BRYCE different are the geological structures called hoodoos, full of tones of red, orange and white colours. The wholes in BRYCE side table depict the stream erosion created by the river and lake bed sedimentary rocks, shaping a surface of golden leaf - with rich reflections - on a clean polished black lacquered body. BRYCE stands strong by a sofa or an armchair where you can put a book, a cup of tea or your favourite table lamp, complementing your ideal living room.



DIMENSIONS

WIDTH	36 cm 14,17"
DEPTH	24 cm 9,45"
HEIGHT	60 cm 23,62"

MATERIALS

Fiberglass; High gloos black lacquer and high gloss golden leaf.

PACKAGING

DIMENSIONS	W 143 cm 16,93" D 31 cm 12,2" H 67 cm 26,38"
VOLUME	0,09 m ³ 3,18ft ³
WEIGHT	15kg 33,07lbs

PRODUCT OPTIONS

Fiberglass; High gloss white lacquer and high gloss golden leaf.

LEAD TIME

Production lead time is of 12 weeks, delivery time not included. For orders of larger quantities BRABBU CONTRACT reserves the right to agree with the client on a different lead time.

All of our furniture can be made to measure and it is available in different finishes.

Please note that the colours and materials shown are for reference only and small variations may occur.