

BB CONTRACT

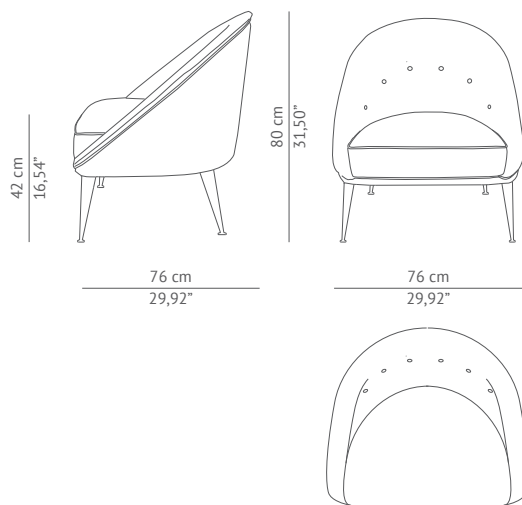
by BRABBU

CASEGOODS UPHOLSTERY LIGHTING RUGS



MALAY | ARMCHAIR

Our designers travelled to the Malay Archipelago, located between the Southeastern of Asia and Australia, in order to project a living room set, capable of whispering the stories of diverse cultures such as Indonesia, the Philippines and Singapore. These ethnicities give life to MALAY - a graceful green velvet armchair with a mystical soul that will fulfill your entire living room set with energy from the nature. Enjoy this comfortable armchair in velvet with legs in aged casted brass, lacing it as center piece in your living room set.



DIMENSIONS

WIDTH	75 cm 29,50"
DEPTH	70 cm 27,60"
HEIGHT	78 cm 30,70"
SEAT HEIGHT	42 cm 16,54"
SEAT DEPTH	54 cm 21,03"

MATERIALS

FABRIC	Cotton velvet
FABRIC REFERENCE	BB MOSS VIII- Colour 6
FABRIC NEEDED	4,50 mts 178" (Standard width 1,40mts 55")
LEGS	Painted in wenge color
DETAILS	Aged brass

FABRIC / LEATHER REQUEST

COM	4,50 mts 178" (Standard width 1,40mts 55")
COL	72 sq ft

PRODUCT OPTIONS

FABRIC	BB MOSS VIII- Colour 13; 22
LEGS	Painted in wenge color; Painted in aged brown
DETAILS	Aged brass

PACKAGING

DIMENSIONS	W 85 cm 33,46" D 85 cm 33,46" H 87 cm 34,25"
VOLUME	0,63 m ³ 22,25 ft ³
WEIGHT	30 kg 66,14 lb

LEAD TIME

Production lead time is of 12 weeks, delivery time not included. For orders of larger quantities BRABBU CONTRACT reserves the right to agree with the client on a different lead time.

All of our furniture can be made to measure and it is available in different finishes. Please note that the colours and materials shown are for reference only and small variations may occur.

AN INTENSE WAY OF LIVING

WWW.BRABBUCONTRACT.COM | INFO@BRABBUCONTRACT.COM